

1

2

3

4

5

x

x

x

x

x

x

tape

fabric break

6

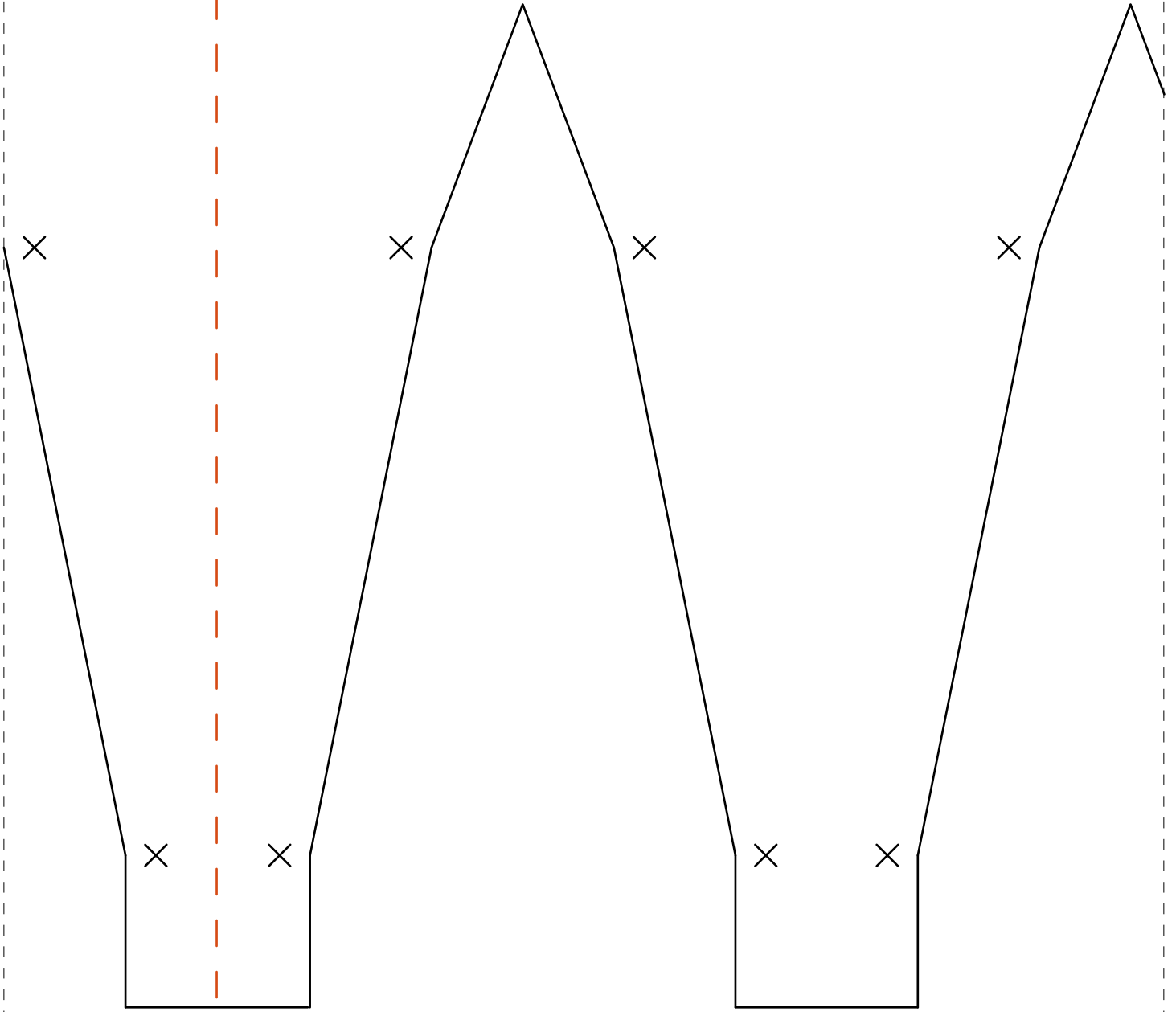
7

8

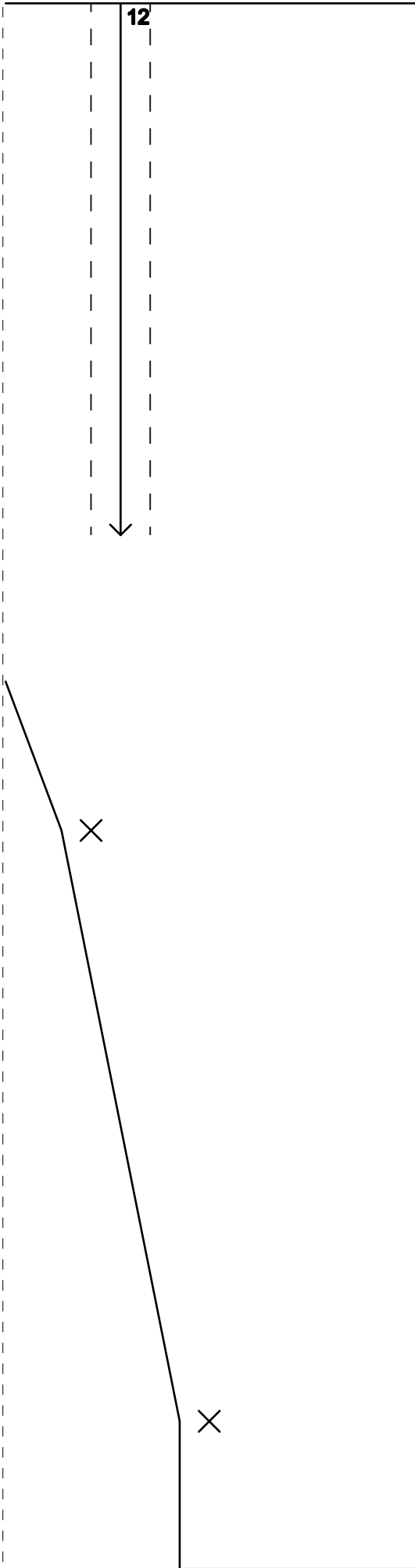
9

10

11



tape



pattern for sewing piece_three
please tape the pattern together